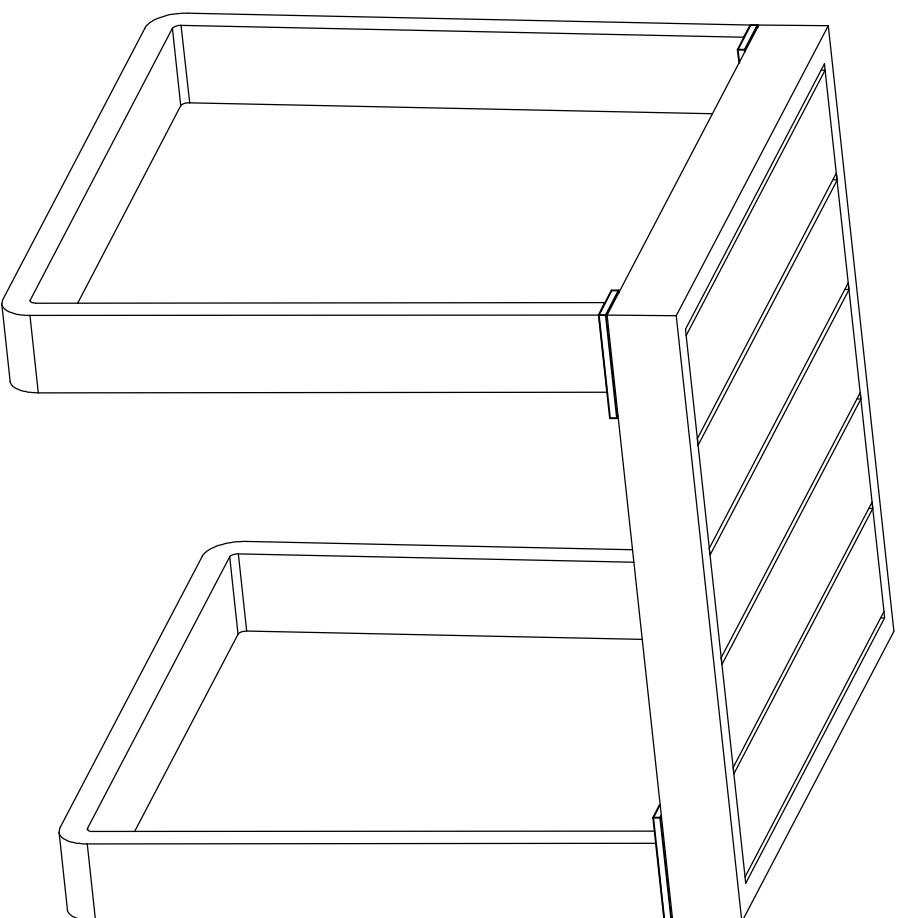
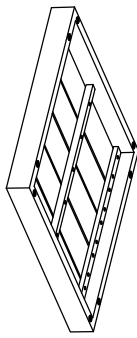

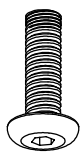


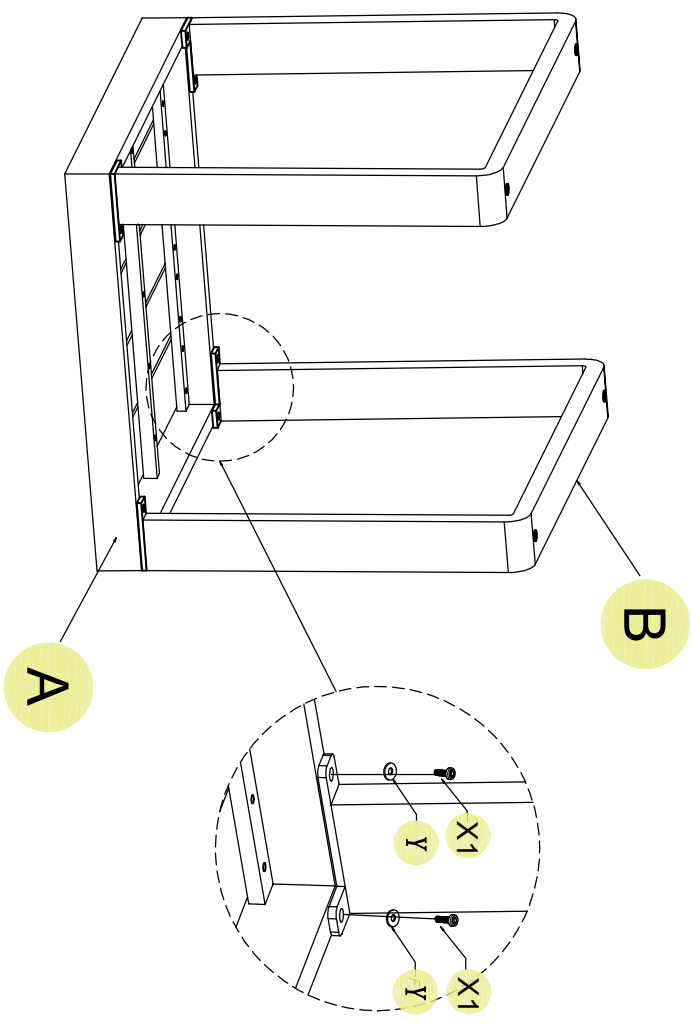


Assembly Instruction



NO.		QTY
A		1
B		2
X1	 M6*20	8
Y		8
Z		1

STEP 1



STEP 2

